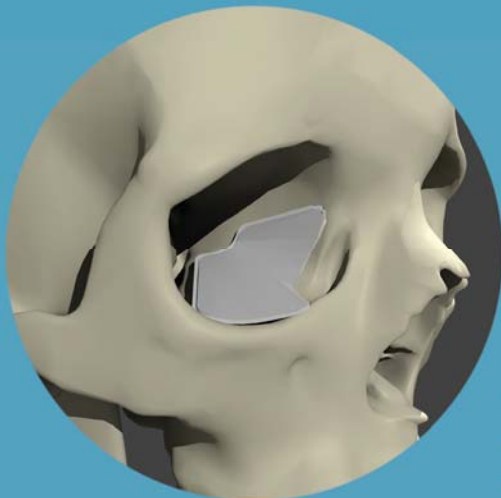
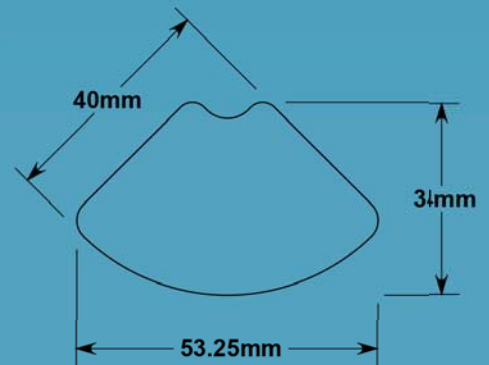
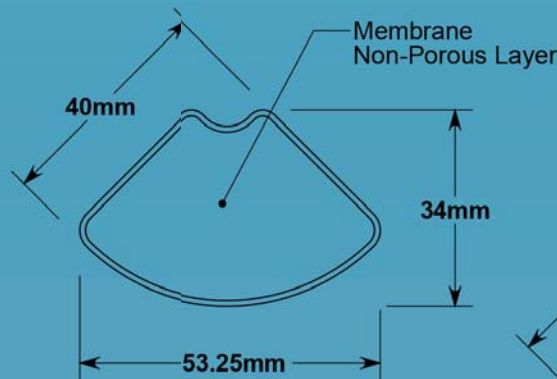


- For medium to large orbital floor defects
- Implant provided with a sterile, non-porous transparent template made of the same Su-Por high-density polyethylene
- Available with or without heat bonded non-porous membrane layer
- Fully porous bone-side layer for tissue ingrowth
- Implant bends and holds desired shape without heating
- Smooth template allows for easy repeated removal during fitting without damage to soft tissues
- Outline and contour of the modified template may be used in modification and placement of implant
- Screw, or sutures can be placed in any location desired
- Easy to trim with scissors or scalpel
- MR Safe, Sterile



CAT#	Description	Thickness
4487	40mm Radius - 0.85mm w Template	0.85 mm
4488	40mm Radius - 1.5mm w Template	1.5 mm
4489	40mm Radius w Membrane- 1.0mm w Template	1.0 mm

